

## HOW TO OPERATE

- Once the bowl has been cleaned and sanitized, fill the mix tank with the desired liquid product (3 gallons maximum). Do not overfill the tank. **NOTE THAT WHEN READY, SLUSH OCCUPIES MORE VOLUME THAN THE LIQUID (approximately 3.5 gallons of slush for 3 gallons of liquid).**
- If using natural products as a base (coffee, lemon juice, orange juice, etc.), it is required that 5 to 7 oz. of sugar per gallon be added. If using a concentrate, follow the mixing instructions from the supplier. In general the brix ratio (sugar content) of the product solution (liquid mix) should not be less than 11.
- To access to switches and timer, open the switch panel cover by pushing on the side (arrow **A**) and pulling (arrow **A'**) (Fig. 10).

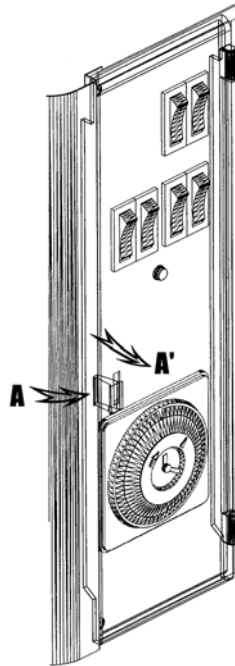


Figure 10

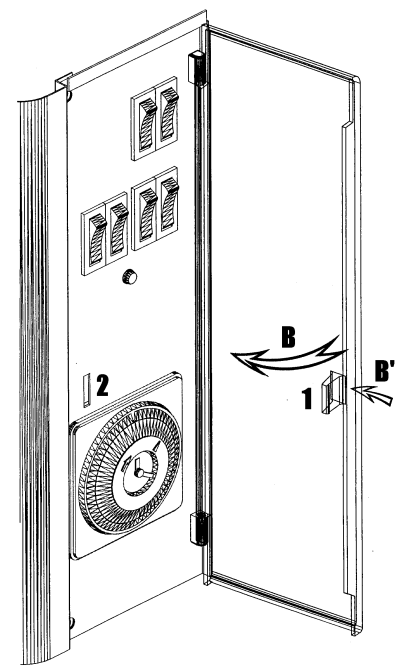


Figure 11

To close the cover (arrow **B'**), push on the front (arrow **B**) until the clear plastic part (1) snaps closed (Fig. 11).

- To operate, press main power switch and agitator switch to **ON** position (Figure 12). **NOTE: The agitator switch must be to ON position before setting to liquid or slush mode.**
  - For slush, press the cooler switch to bottom position (II / ❄️).
  - For liquid, press the cooler switch to up position (I / 🔥). If the machine is being used as a liquid cooler, it is provided with an inside thermostat for controlling the liquid temperature.

**Note that your machine is equipped with a time delay relay that provides for a four minute delay from the time of the initial start. This is to prevent the compressor from short cycling. Once the compressor is ON, the green light will be on.**

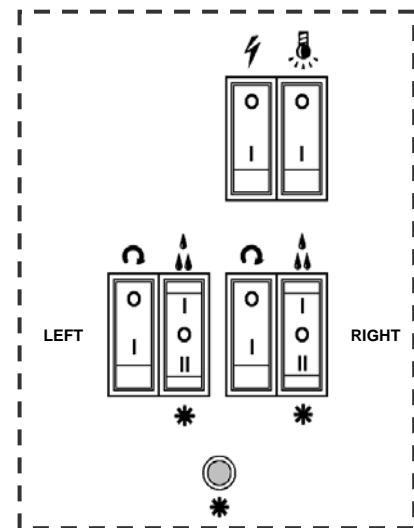


Figure 12

**Note: The cooler switch is a three position switch and in order to have the compressor off, all the cooler switches need to be in the middle position.**

- To illuminate the mix tank cover display on top of the unit and the product in the bowl press the display light switch to down position (I / 🔦).

**CAUTION: IF THE MACHINE IS STOPPED AT NIGHT WITH ICE IN THE TANK, REMOVE ALL ICE SLABS BEFORE STARTING.**

## LIQUID DENSITY ADJUSTEMENT

To adjust the density/consistency of the slush there is an adjustment knob (**Figure 13, #2**) at the rear, right corner of the dispenser (**#1**).

Turn the knob right (clockwise) or left (counter clockwise) (**arrow C and B**) The consistency indicator (**#4**) will go up or down (**arrow D and E**)

To firm up the product, turn the set knob counter clockwise, which will move the indicator down to a higher number position

To soften / warm up the product, turn the set knob clockwise, which will move the indicator up to a lower number position

NOTE: when using a new product, or on initial start up, it is recommended that you set the consistency indicator to the lowest/warmest setting and increase as desired. Please note that the machines are pre-set at the factory at a medium setting (number 2.5)

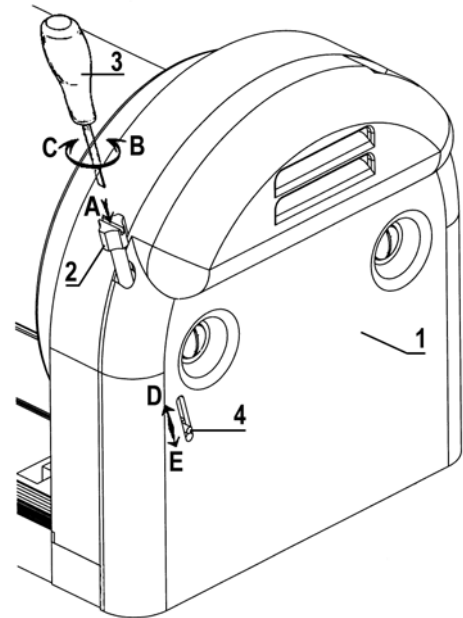


Figure 13

## TANK WITH PADLOCK

Fitting the lid over the tank (**Figure 14**):

- 1° Slide the rim into the slot situated at the back of the tank. Lift slightly the front of the lid.
- 2° Lower the lid and fit onto the tank.
- 3° Insert the padlock into holes of the front rims of the tank and the lid. Close it.

**Note:**

- A. The lid can be turned back to front (reversible). Proceed as above.
- B. In order to take off the lid, the padlock must be opened and released; then follow the instructions in reverse order

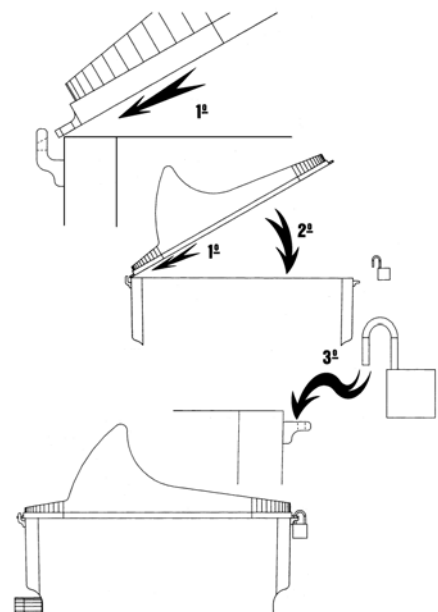


Figure 14