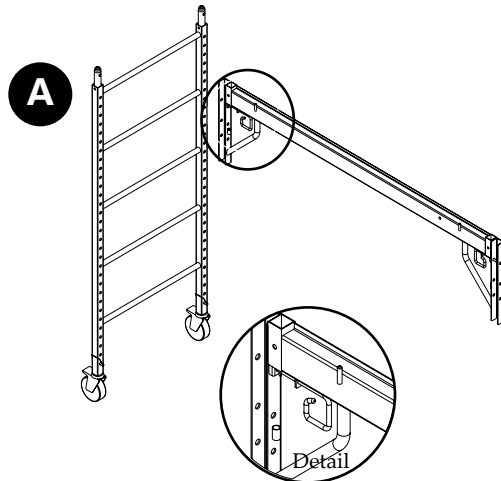
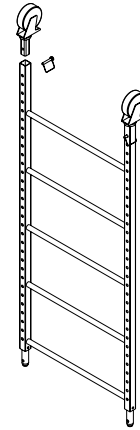


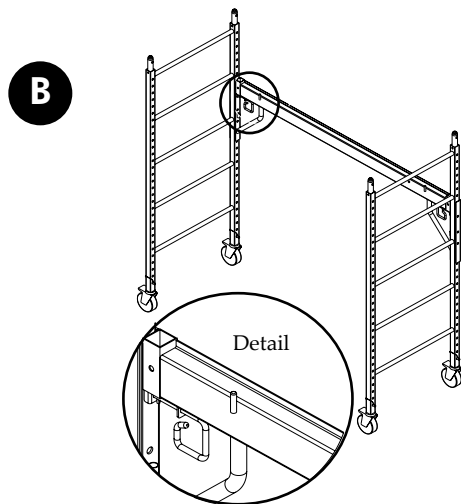
# SNAPPY ASSEMBLY INSTRUCTIONS

Updated 07.14.2009

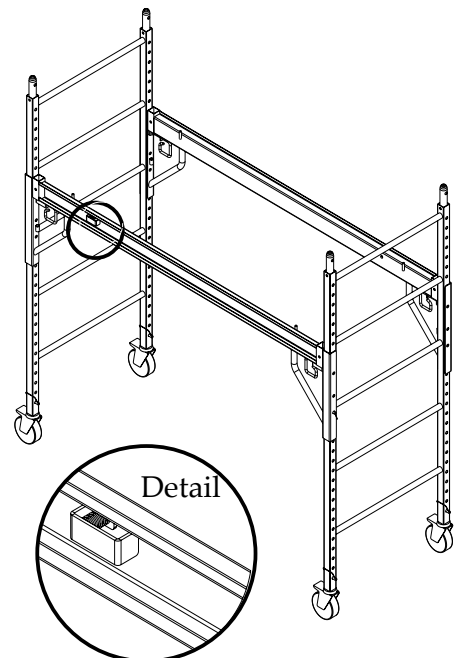
- 1) Turn the end frames upside down and insert the casters into the frame legs. Pin the casters in place with 2" snap pins.



- 2) (A) Turn the frames right side up and engage the lock on the casters. While holding one end frame with one hand (or lean it against a wall) use your other hand to pull back the "G" pin on the arm brace and engage the "U" channel over the frame leg. (B) Then release the "G" pin and slide the arm brace up or down on the frame leg until the pin snaps into a hole. Repeat for the opposite end of the brace and second end frame.

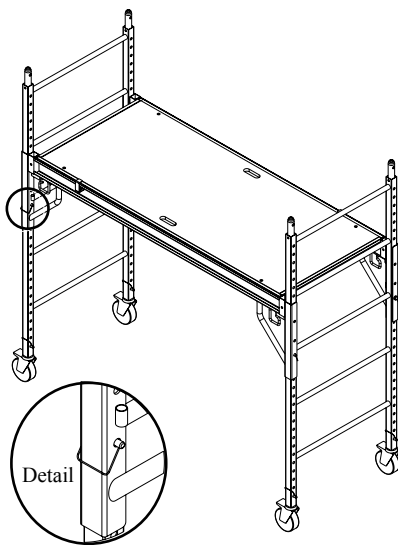
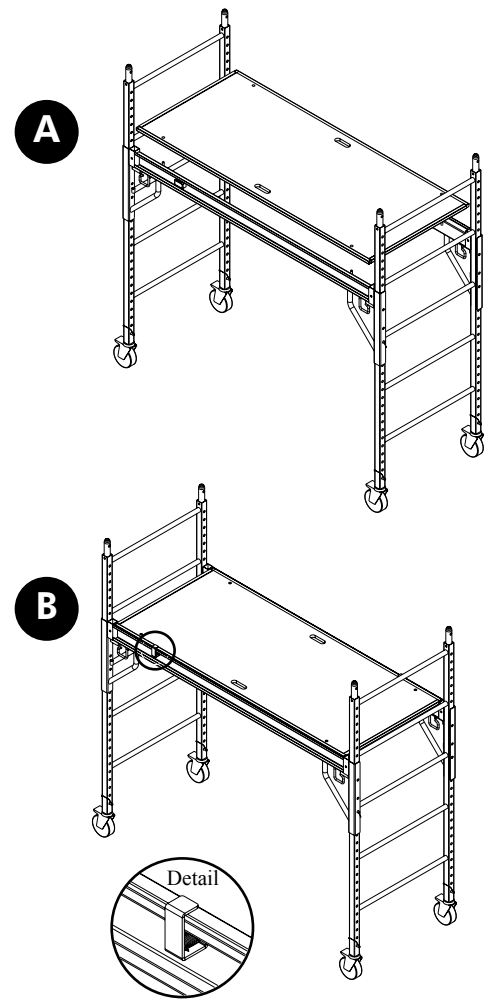


- 3) Attach the second arm brace as described in step 2. Make sure both arm braces are positioned at the same level. Be sure the platform hold down devices are turned out of the way.



- 4) (A) Then lay a plywood platform on the braces. Line up the 4 holes in the plywood with the pins on the arm braces. (B) Turn the platform hold down devices so that they “trap” the platform onto the braces.

The platform height can now be easily adjusted. By standing at the end of the unit, disengage a “G” pin with each hand. The arm braces and platform can now be moved up or down on the frame. When at the preferred height, release the “G” pins and move the platform up or down until the “G” pins snap into the nearest hole. Adjust the opposite end in the same way.

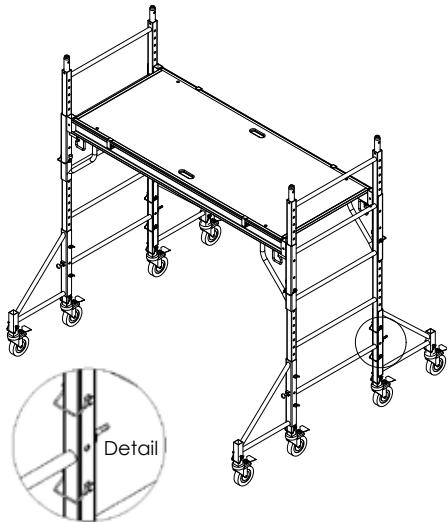
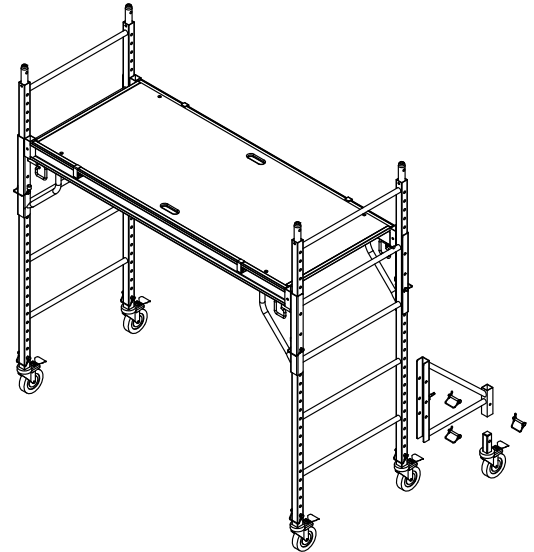


- 5) For additional security insert 2” snap pins through the “U” channel and frames after the platform height has been properly set.



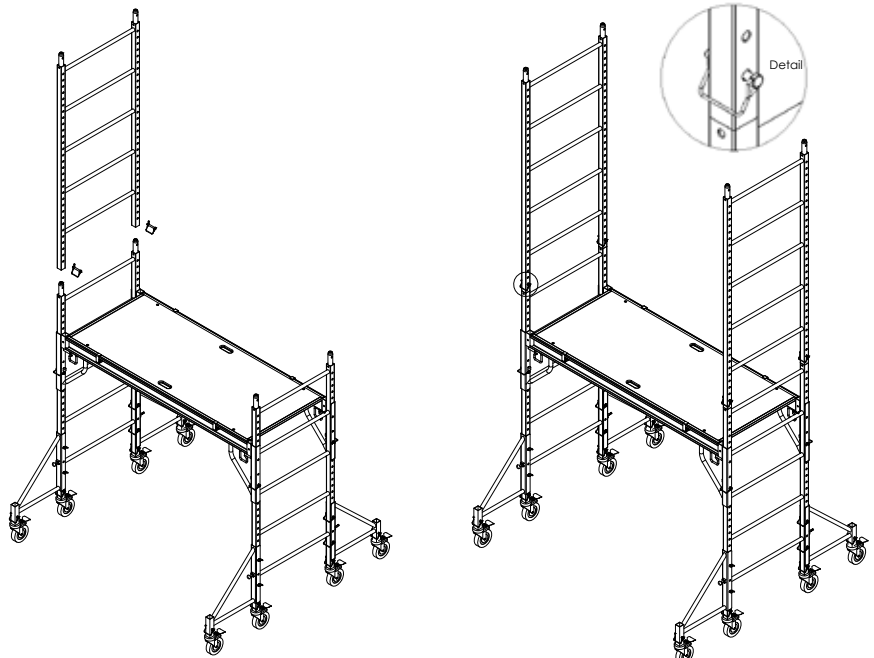
**DO NOT USE SCAFFOLD AS A STACKED UNIT UNLESS OUTRIGGERS, GUARD RAILS AND TOEBOARDS ARE INSTALLED. FOR MORE INFORMATION REFER TO OSHA SCAFFOLD SAFETY GUIDELINES.**

- 6) Insert the caster into the outrigger and attach with a snap pin. Then, attach the outrigger to the frame leg using two 2" snap pins. The caster on the outrigger should be level with the casters on the ladder frame.

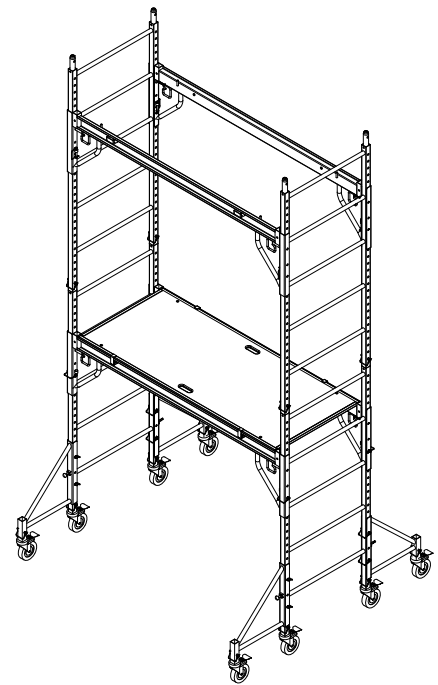
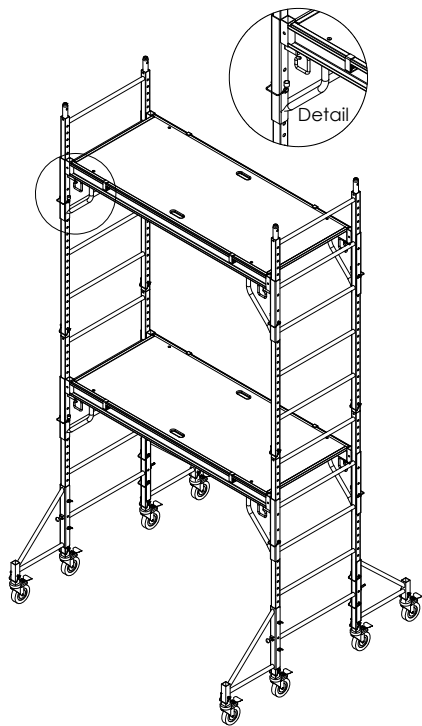


- 7) Attach the remaining three outriggers as described in step 7. Make sure that the casters on the outriggers are level with the casters on the ladder frames.

- 8) Set the ladder frames for the second level onto the first level ladder frames and secure with 2" snap pins.



- 9) Attach the second level arm braces, one at a time, as described in **Step 2** and position them to the desired location on the second level ladder frames.



- 10) Lay a plywood platform on the braces. Then line up the four holes in the plywood with the pins on the arm braces. Turn the platform hold down devices so they "trap" the platform onto the braces. Secure the braces using 2" snap pins through the "U" channel and the frames.

- 11) Set the guard rail panel (toeboards are attached to guard rail) on the second level arm brace and secure with 2" hinge pins. Repeat to install the second piece of guard rail to the unit.

